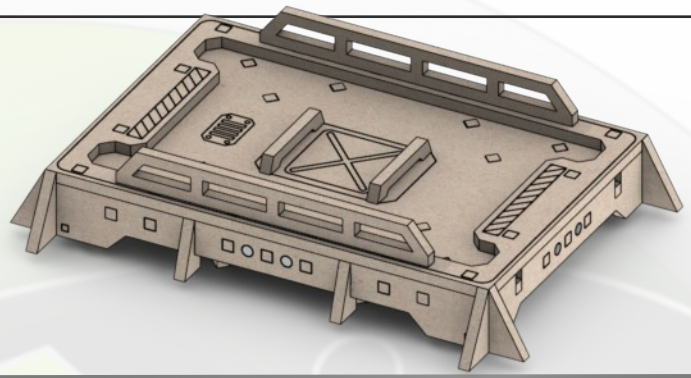


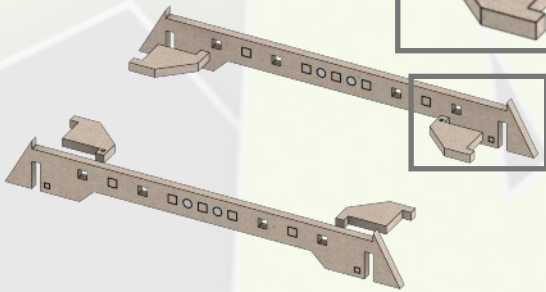
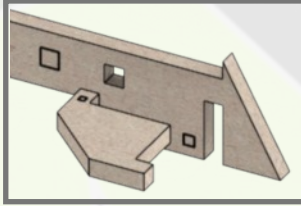
The Complex Small Bunker Roof

Assembly Instructions

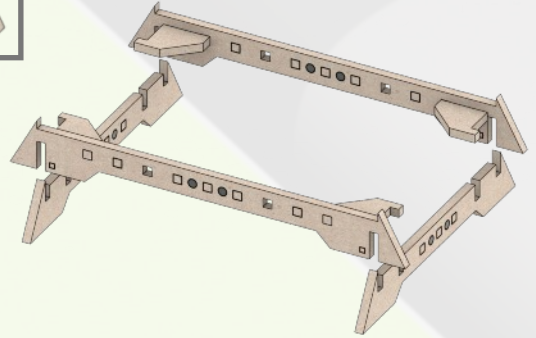


1

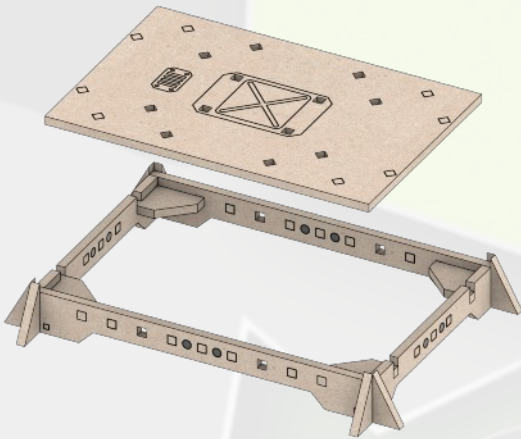
Square indicates
correct orientation



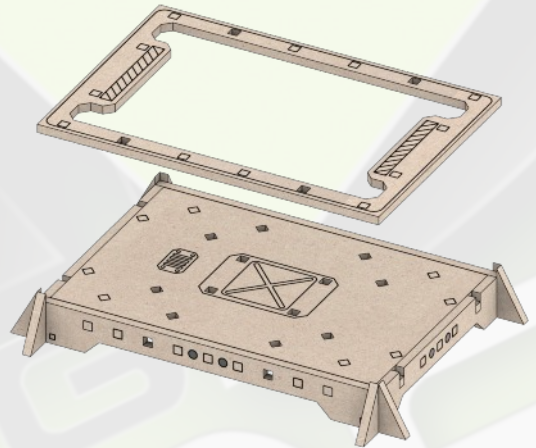
2



3

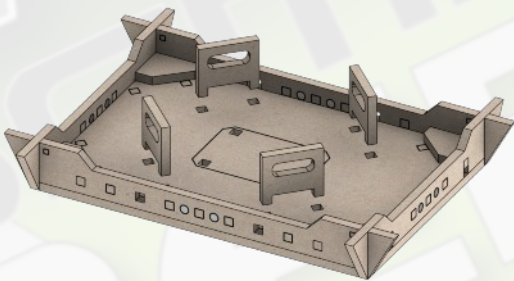


4



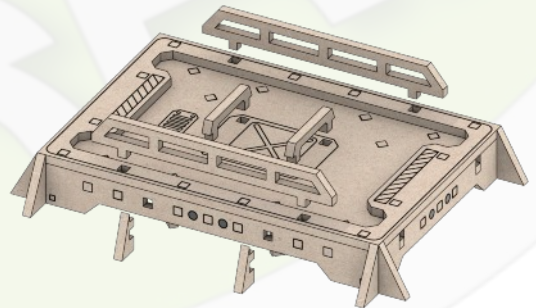
5

Flip to underside



6

Optional accessories



Careful, this pack may contain fragile parts

Designed &
produced by

